

## KLT-H1K-AR0237 V2.0 On-Semi AR0237 RGB-IR HiSPi Интерфейс Фиксированный фокус 2MP M12 Модуль камеры



№ модуля камеры	KLT-H1K-AR0237 V2.0
Датчик изображений	AR0237
EFL	3.1 mm
F.NO	1.8
Пиксель	1928 x 1088
Угол обзора	153°(D) 126°(H) 65°(V)
Тип линзы	1/2.7 дюйм
Размеры линз	15.00 x 15.00 x 23.10 mm
Размер модуля	50.00 x 21.50 mm
Тип модуля	Фиксированный фокус
Интерфейс	HiSPi
Модель объектива IMT	IMT-2B12H005-68

Ответный соединитель Деталь No. FH12-24S-0.5SH



Ответный разъем на основной плате. Продано отдельно.

## Product Overview

### AR0237 RGB-IR: 2 MP 1/2.7" RGB-IR CMOS Image Sensor

For complete documentation, see the data sheet.

The AR0237 RGB-IR is a 1/2.7-inch CMOS digital image sensor with an active-pixel array of 1928 (H) x 1088 (V). It captures images in either linear or high dynamic range modes with a rolling-shutter readout, and includes sophisticated camera functions such as in-pixel binning, windowing and both video and single frame modes. It is designed for both low light and high dynamic range scene performance, and is programmable through a simple two-wire serial interface. The AR0237 RGB-IR integrates the ability to take daytime color imaging and nighttime near-IR imaging in one sensor without the need for a mechanical IR-cut filter which can be loud, large, cause refocusing issues and expensive to maintain, and ideal for home security and other monitoring applications where lighting conditions can change drastically during the times when the camera is expected to work.

### Features

- Superior low-light performance
- DR-PIX (TM) technology with Dual Conversion Gain
- Full HD support at up to 1080p 60 fps for superior video performance
- Linear or high dynamic range capture
- On-chip phase-locked loop (PLL) oscillator
- Supports line interleaved T1/T2 readout to enable HDR processing in ISP chip
- Support for external mechanical shutter
- Integrated position-based color and lens shading correction
- Slave mode for precise frame-rate control
- Stereo/3D camera support

For more features, see the data sheet

### Applications

- Video surveillance
- 1080p60 (Surveillance) video applications
- High dynamic range imaging
- Home security

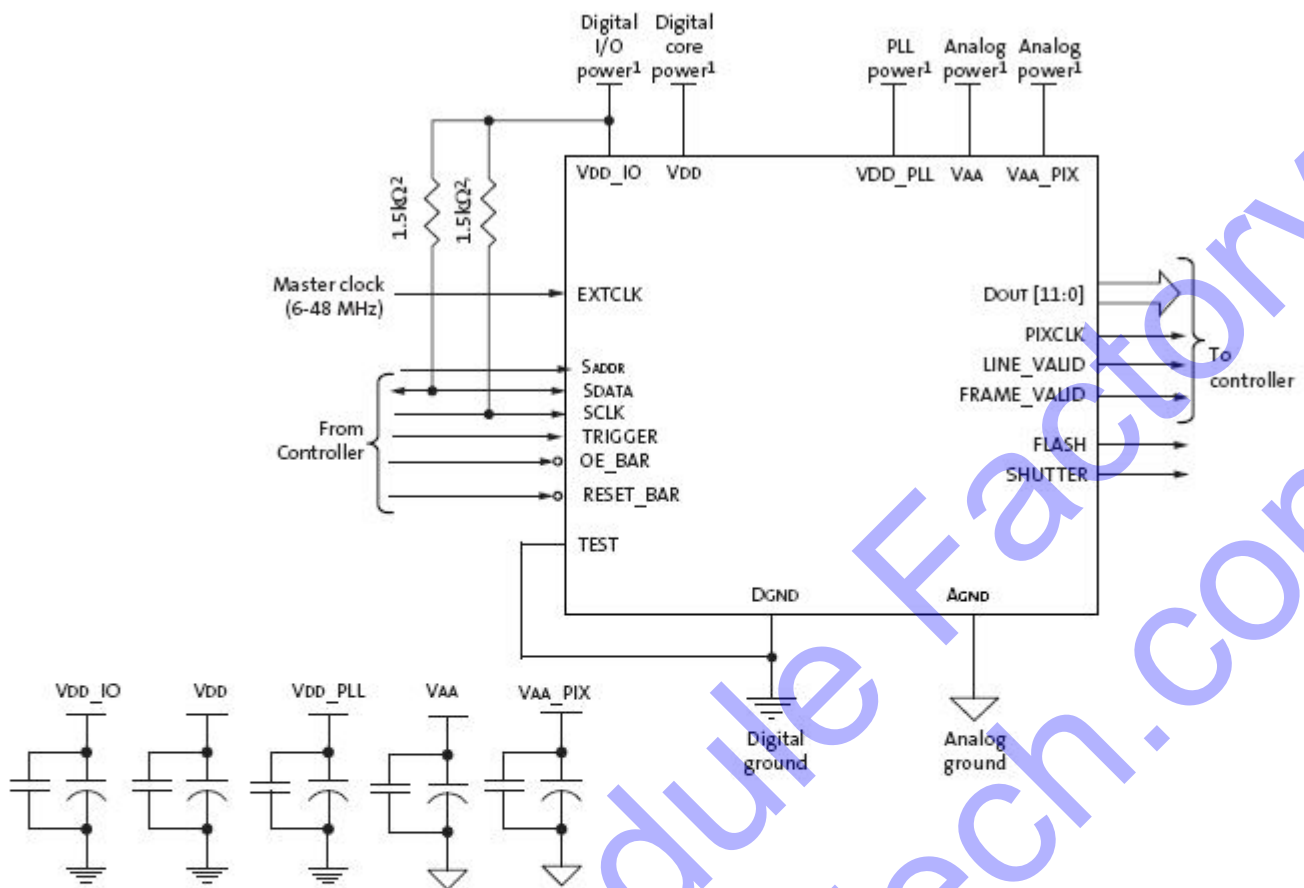
### End Products

- Surveillance camera
- Door Bell camera
- Baby camera
- Home security camera

### Part Electrical Specifications

Product	Compliance	Status	Type	Megapixels	Frame Rate (fps)	Optical Format	Shutter Type	Pixel Size (µm)	Output Interface	Color	Package Type
AR02371RSH12SHRA0-DR	Pb-free Halide free	NEW	CMOS	2	60	1/2.7 inch	Electronic Rolling and Global Reset Release	3.0 x 3.0	HiSPi™	RGB-IR	PLCC-48
AR02371RSH12SPRA0-DR	Pb-free Halide free	NEW	CMOS	2	30	1/2.7 inch	Electronic Rolling and Global Reset Release	3.0 x 3.0	Parallel	RGB-IR	PLCC-48

## Application Diagram



- Notes:
1. All power supplies must be adequately decoupled.
  2. ON Semiconductor recommends a resistor value of 1.5kΩ, but a greater value may be used for slower two-wire speed.
  3. The serial interface output pads and VDDSLVS can be left unconnected if the parallel output interface is used.
  4. ON Semiconductor recommends that 0.1μF and 10μF decoupling capacitors for each power supply are mounted as close as possible to the pad. Actual values and results may vary depending on layout and design considerations. Refer to the AR0237 demo headboard schematics for circuit recommendations.
  5. ON Semiconductor recommends that analog power planes are placed in a manner such that coupling with the digital power planes is minimized.
  6. I/O signals voltage must be configured to match VDD\_IO voltage to minimize any leakage currents.
  7. The EXTCLK input is limited to 6-48 MHz.

For more information please contact your local sales support at [www.onsemi.com](http://www.onsemi.com).

Created on: 9/30/2017